

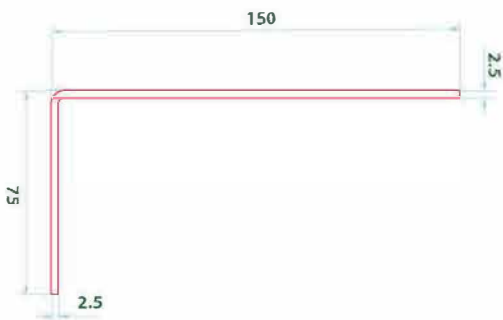
BULLET ROOF EDGE TRIMS

The strongest Trims you'll ever use! A perfect finish every time with pre-made corners that allow effortless change between a raised edge and drip detail. Made using "E" type glass reinforcement encapsulated in thermo set polyester resin to give outstanding life expectancy and performance.

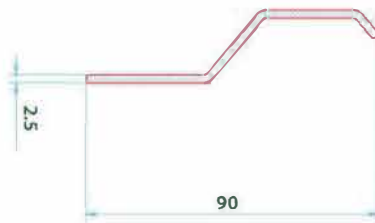
Do not mistake these trims for the ones you've used before! They are engineered for performance and at 2.5mm thick they are worlds apart from the competition.

These pre-pigmented trims already match the colour of the Bullet Roof system. They do not require additional coating as they have a pre finished surface, saving you time and money as well giving you drip and run free finished edge

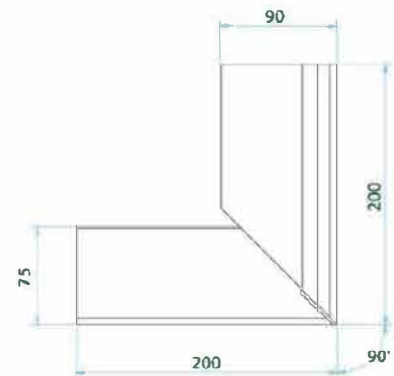
**Abutment Trim
150mm x 75mm**



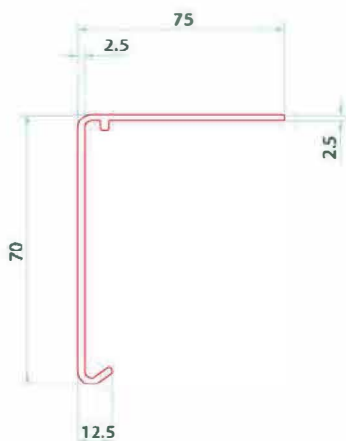
Termination Bar 80mm



**70mm Drip Trim / 100mm
Check Trim Combo Corner**



**Drip Trim 70/100mm Face
x 75mm Fixing Arm**



**Check Trim 100mm Face
x 60mm Fixing Arm**

